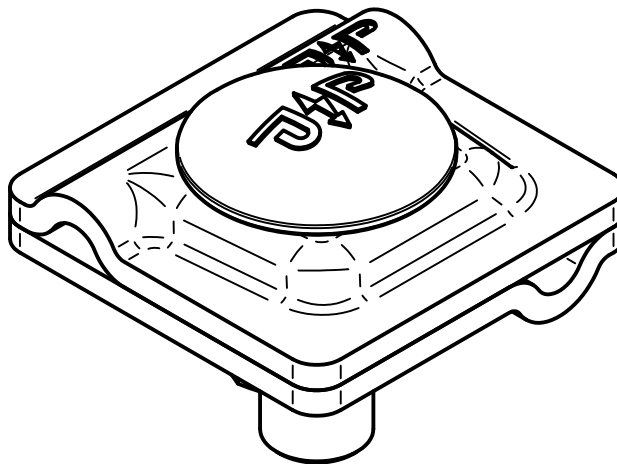
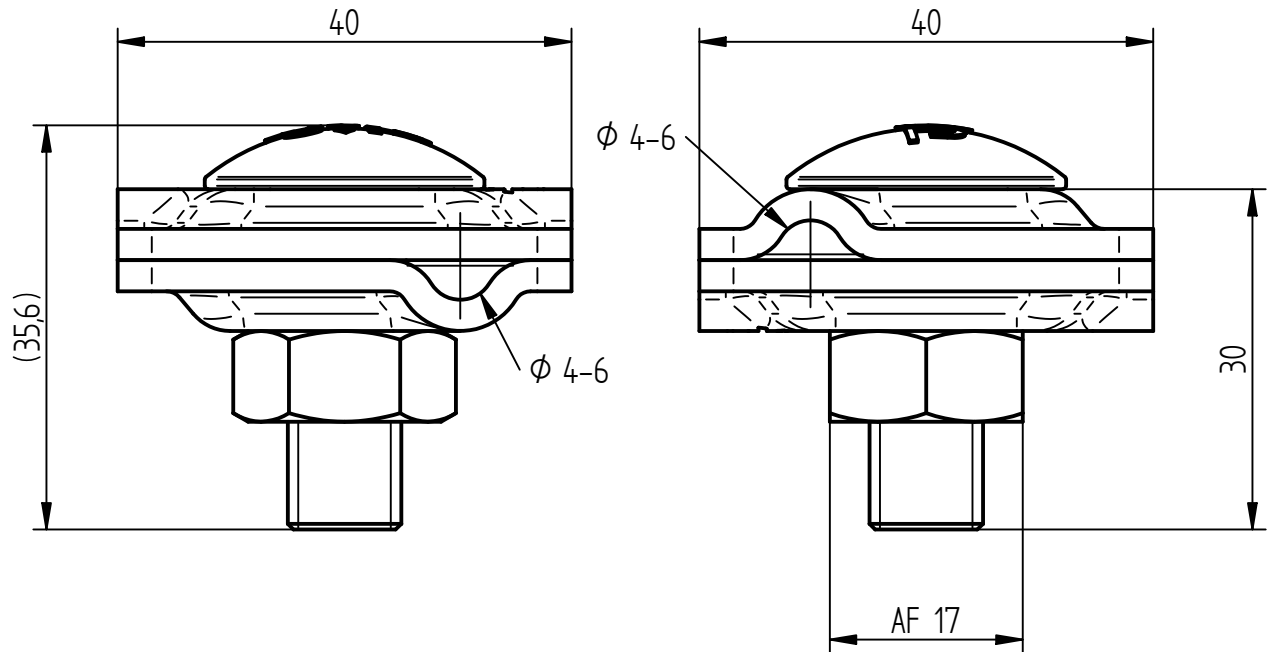


Product Specification

Ord.-No.: **111 279**

Specification: Multi-clamp, St/tZn, Ø 4-6 mm carriage bolt M10, for reinforcements

Performance: Original-Multi-clamp according to DIN EN 62561-1 for the universal use as T-, cross-, parallel-clamp and joint-connector specially for reinforcements.



Material of clamp	St/tZn
Fit	Ø 4-6 mm
Screw	Carriage bolt M10 with nut, St/tZn
Weight	100 g
Standard reference	DIN EN 62561-1
Packing unit	100 units